

NEW SERIES

**GOLDLIFT 14.70 III S**

**Hinowa®**

**TRACKED AERIAL  
PLATFORM  
14 m height**



**RADIO  
CONTROLLED**

**DISTINCTIVE  
FEATURES**

- 7 m working outreach
- 120-200 kg cage capacity with automatic weight selection
- Stabilization footprint: just 3 x 3 metres

GB

[www.hinowa.com](http://www.hinowa.com)

## NEW SERIES



One of the new standard features **is the possibility to control the machine remotely through a radio-control.**

On this control the following functions can be selected: engine selection, self-stabilization, self-destabilization and interactive display.



### ADVANTAGES/INNOVATIONS

- The GL14.70 IIS arm configuration is the same as in the traditional version, which allows an excellent up and over height
- The aerial part hydraulic controls ensure ease of use, synchronicity and proportionality of the movements.
- Two articulated arms on which are added a telescopic arm and the jib arm
- The turret rotation of the new IIS series increases from 300° to 360°
- The aerial part controls are hydraulic, while the outrigger movements, including the **automatic self-stabiliza-**

**tion and self-destabilization, called IIS (innovation)** are included in a radio control, which can also be used as a wired remote control (standard)

- The IGX Honda engine with automatic revolution control reduces consumption and noise. It only accelerates when a movement is carried out through the levers
- The new Goldlift 14.70 IIS is equipped with a **localisation and satellite diagnostics system through R.A.H.M.** Thanks to the satellite system the machine can be localised wherever it is located in that moment and gives useful information for the remote defect detection.



**DISCS Ø 300**



**CONNECTIONS TO THE BASKET**

The 230 V socket and the compressed air line to the basket are standard accessories.

# GOLDLIFT 14.70 III S

The **hydraulic widening system of the undercarriage is an advantage** for the lateral stability.



## RADIO-CONTROL

Only press a button to stabilize the machine and another to destabilize it – everything is completely automatic. Thanks to this innovation, this machine may be used by operators who are using this type of machine for the first time.



## NEW PINS AND BUSHINGS

All the machines are equipped with **new pins combined with lubrication-free fibreglass bushings**, reducing the maintenance time.



## IRON-RUBBER PIPES

The pipes of the hydraulic system are divided into **mixed sections of iron and rubber** to make easier maintenance.



## HONDA ENGINE



## ENGINE

**Petrol Honda IGX440 with automatic revolution control**, which ensures moderate consumptions, combined with standard 230 V electric motor.

Alternatively the version with **AC 48V electric motor powered by lithium-ion batteries** is available. The latter one is very appreciated for works in schools, hospitals, thermal power plants.

**NEW: the machine is available equipped with diesel engine** with automatic revolution control.

## LITHIUM-ION MOTOR



## DIESEL ENGINE

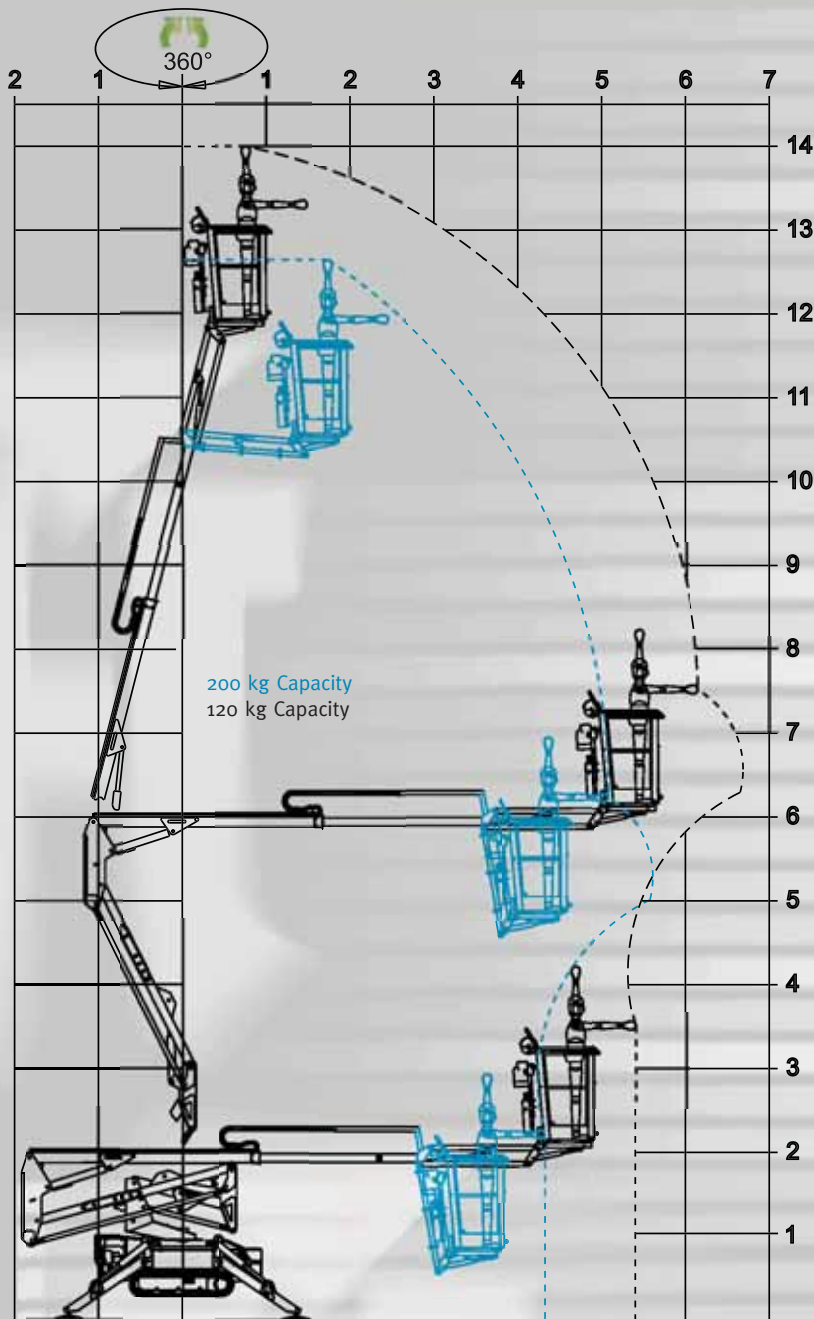


## LOAD CELL

Extensometric load cell with **dual channel safety** for a perfect control of the weight in cage.



# GOLDLIFT 14.70 III S



200 kg Capacity  
120 kg Capacity

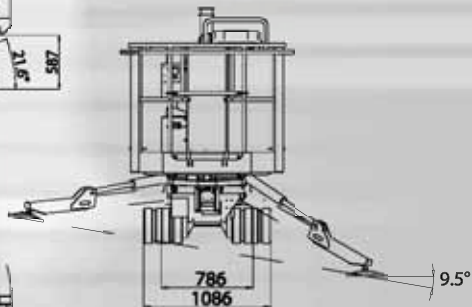
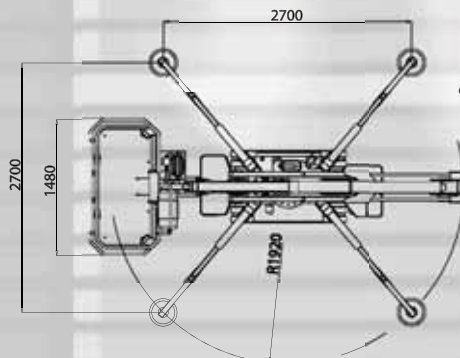
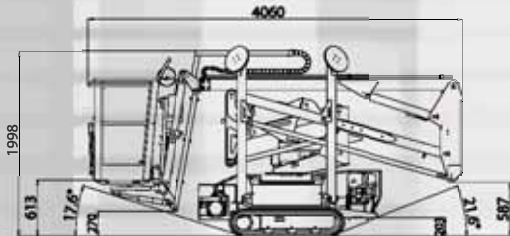
SIMONCELLI PP > DGI023 20711

CAPACITY 200 kg

CAPACITY 120 kg

MAX WORKING HEIGHT	12,68 m	14 m
MAX HORIZONTAL WORKING OUTREACH	5,66 m	7 m
TRANSPORT LENGTH	4,06 m	
TRANSPORT HEIGHT	1,998 m	
STANDARD CAGE DIMENSIONS	1335x690xh.1100 mm	
MAX SLOPE ALLOWED IN TRAVEL MODE	17,5° / 31,5%	
TOTAL WEIGHT	1700 kg / 3747,85 lb	
THERMIC ENGINE AVAILABLE	Honda iGX440-15CV 3600rpm	HATZ 1B40-10CV 3600rpm
ELECTRIC MOTOR	2,2kw-230V-50Hz 1500rpm	2,2kw-110V-50Hz 1500rpm
MAX TRAVEL SPEED	I - 1,4 km/h	II - 1,4-2,8 km/h OPTIONAL
CLOSED MACHINE WIDTH	780/1080 mm	
GROUND PRESSURE IN TRAVEL MODE	1670 daN - 0,5 daN/cm <sup>2</sup>	
GROUND PRESSURE IN WORKING MODE	1330 daN - 1,9 daN/cm <sup>2</sup>	

**LITHIUM** ELECTRIC MOTOR WITH LITHIUM BATTERIES  
OPTIONAL 90Ah / 48V



HINOWA is continually researching and developing products and reserves the right to make modifications without prior notice. All data in this document is indicative. Certain options or country standards will increase weight. Specifications may change to meet country standards or with the addition of optional equipment.



# Hinowa®

HINOWA SPA

Via Fontana • 37054 NOGARA • Verona • Italy

Tel. +39 0442 539100 • Fax +39 0442 539075

info@hinowa.com

[www.hinowa.com](http://www.hinowa.com)